



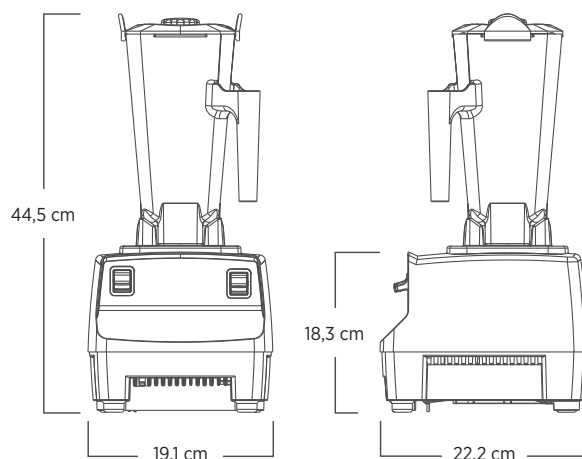
Durable and Efficient Blending

The Drink Machine Two-Speed is a reliable blender for powerful, functional blending. With manually controlled High/Low speed capability, the Drink Machine Two-Speed will flawlessly create delicious frozen coffee drinks, fruit smoothies, granitas, shakes and more.

Smart Product Design

- ≈2,3 HP motor is designed to resist overheating when blending dense ingredients
- Blades create enough torque to crush 1,4 liters of cubed ice in seconds
- Clear, durable 1,4-liter container pulls ingredients into the blades for efficiency and better speed of service
- Sturdy controls provide improved grip





Includes Drink Machine Two-Speed with 1,4-liter high-impact, clear/stackable standard container, complete with Wet blade assembly and lid, and black base. Also available with 2,0-liter standard container in some markets.

For more complete warranty terms and conditions, please contact your authorized Vitamix distributor.

Product Specifications

Motor	≈2,3 peak output horsepower motor
Electrical	220-240 V, 50-60 Hz, 1000-1200 W
Net Weight	4,94 kg, (5,94 kg with box)
Dimensions	44,5 x 19,1 x 22,2 cm (HxWxD)

Also Available

2,0 L BPA-free, clear standard container complete with Wet blade assembly and lid

1,4 L BPA-free, clear/stackable standard container complete with Wet blade assembly and lid

0,9 L BPA-free, clear/stackable standard container complete with Wet blade assembly and lid

Not all products are offered in all countries. Products and item numbers may differ in your local market. Please contact your Vitamix Account Representative for product availability and item details.

Contact Information

Commercial Sales

Mon - Fri 8am-6pm (EST)

+1 440.782.2450

commercial@vitamix.com

Technical Support

Mon - Fri 8am-6pm (EST)

+1 440.782.2450

commercialts@vitamix.com

vitamix.com

For more information, please contact an authorized Vitamix distributor, or Vitamix international customer service.

